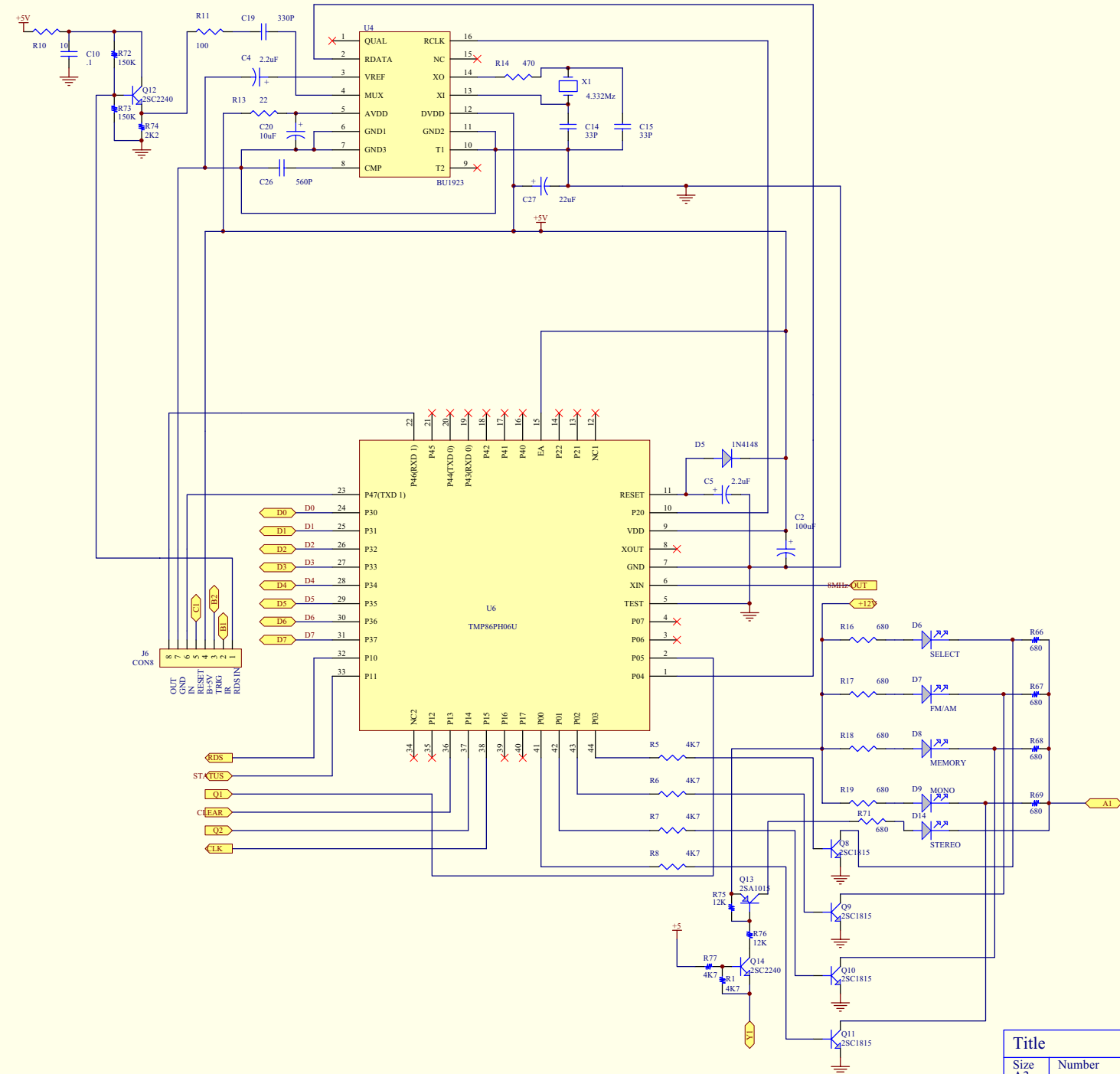


Title		
Size	Number	Revision
A3	B4241-3	G L LIU
Date	04 MAR 2002	Sheet of
File	D:\PROTEL\FILES\T3\SINGL	Drawn By
		Alvin Hsieh



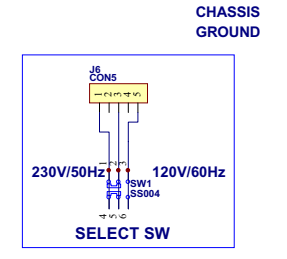
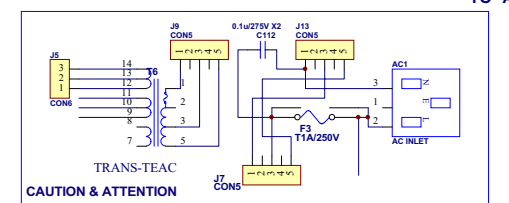
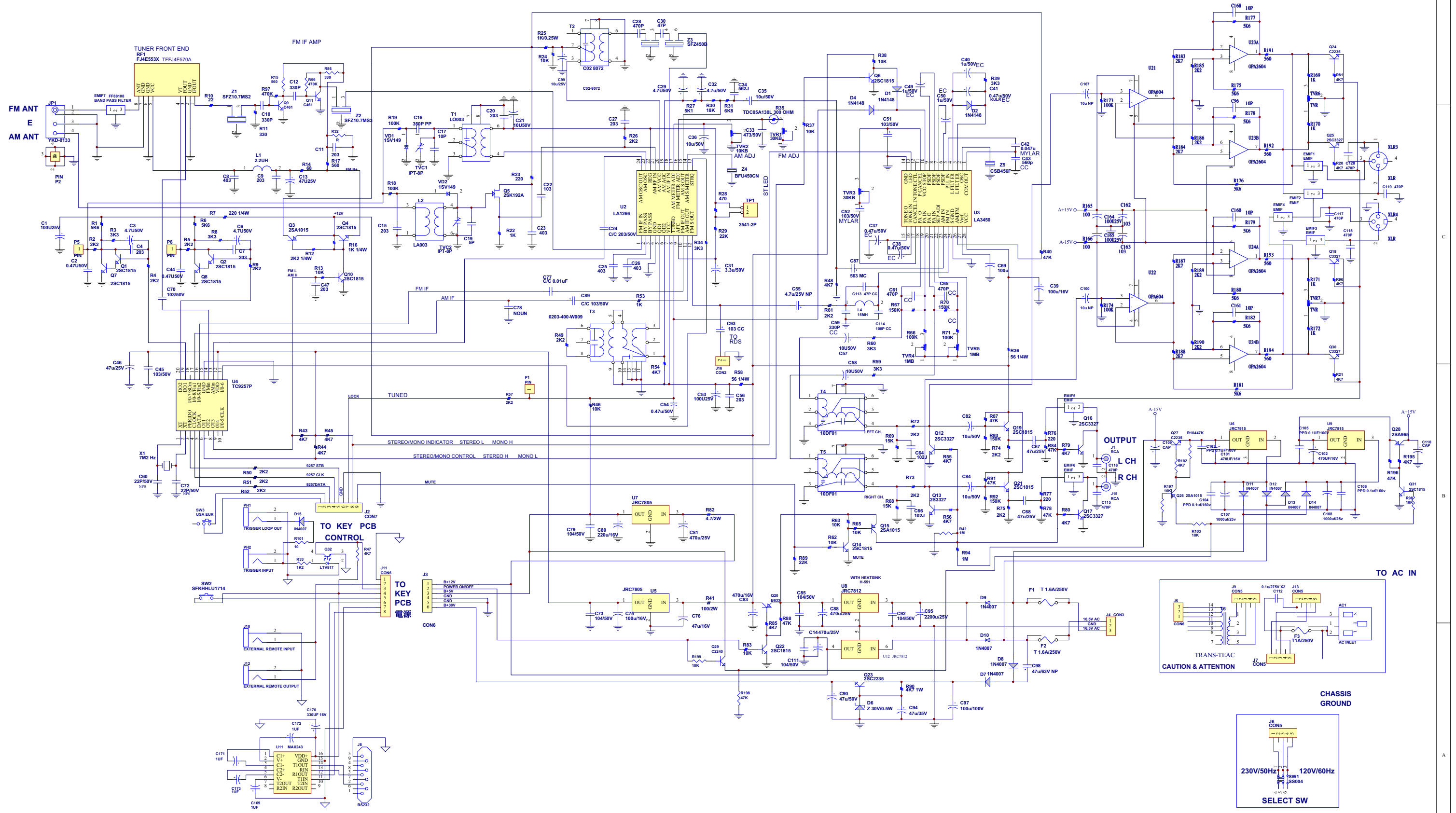
Title		
Size A3	Number B4241-3	Revision G L LIU
Date 04 MAR 2002	Sheet of	
File D:\PROTEL\FILES\T3\SINGL	Drawn By Alvin Hsieh	

TUNER

T-3

PCB NO : B4240

DATE : MARCH.04.2002



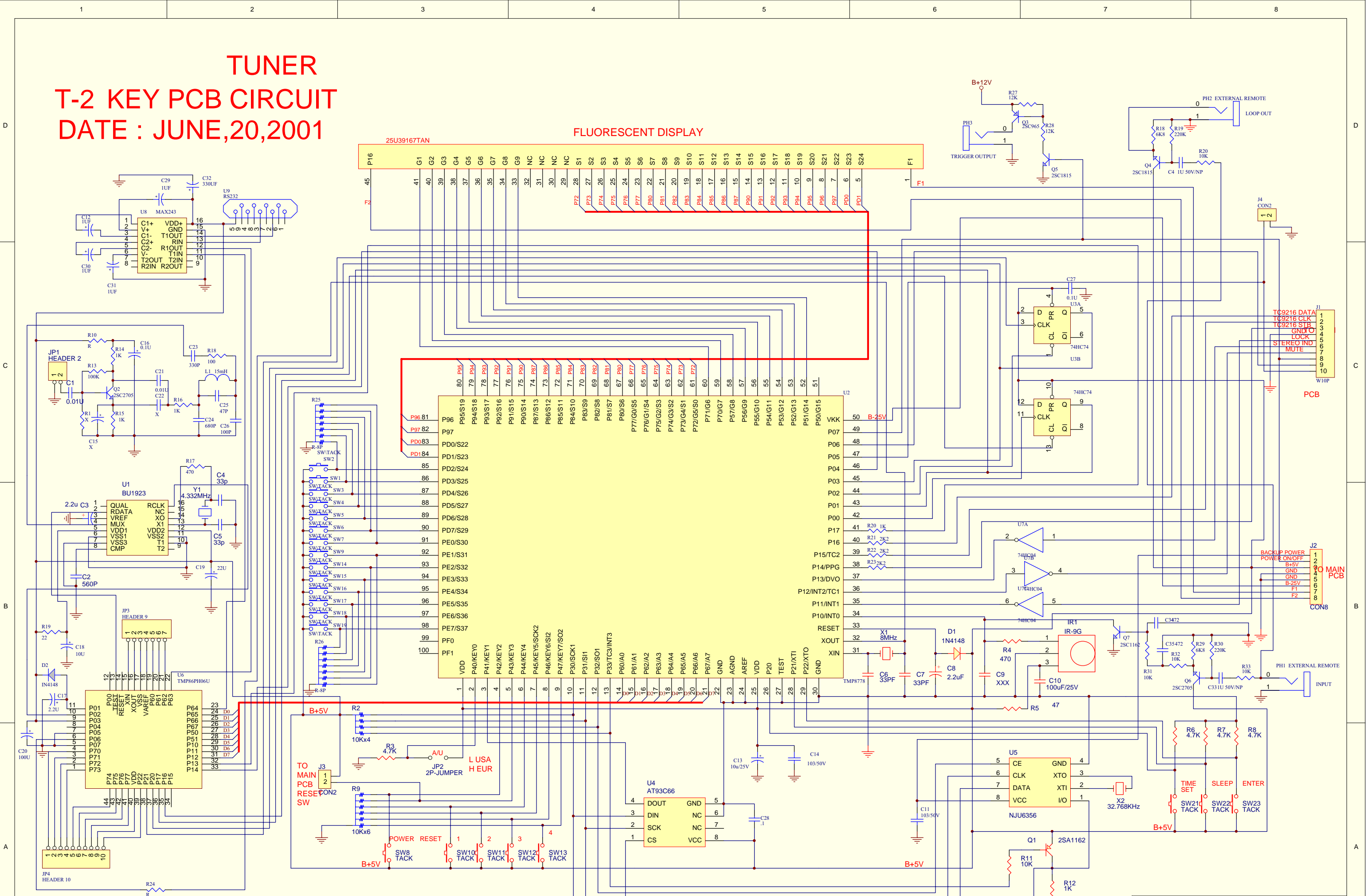
Title			
Size	A3	Number	B4240
Date	04 MAR 2002	Revision	G.L.LIU
File	D:\PROTEL\FILES\T3SINGL	Sheet of	
		Drawn By	Alvin Hsieh

TUNER

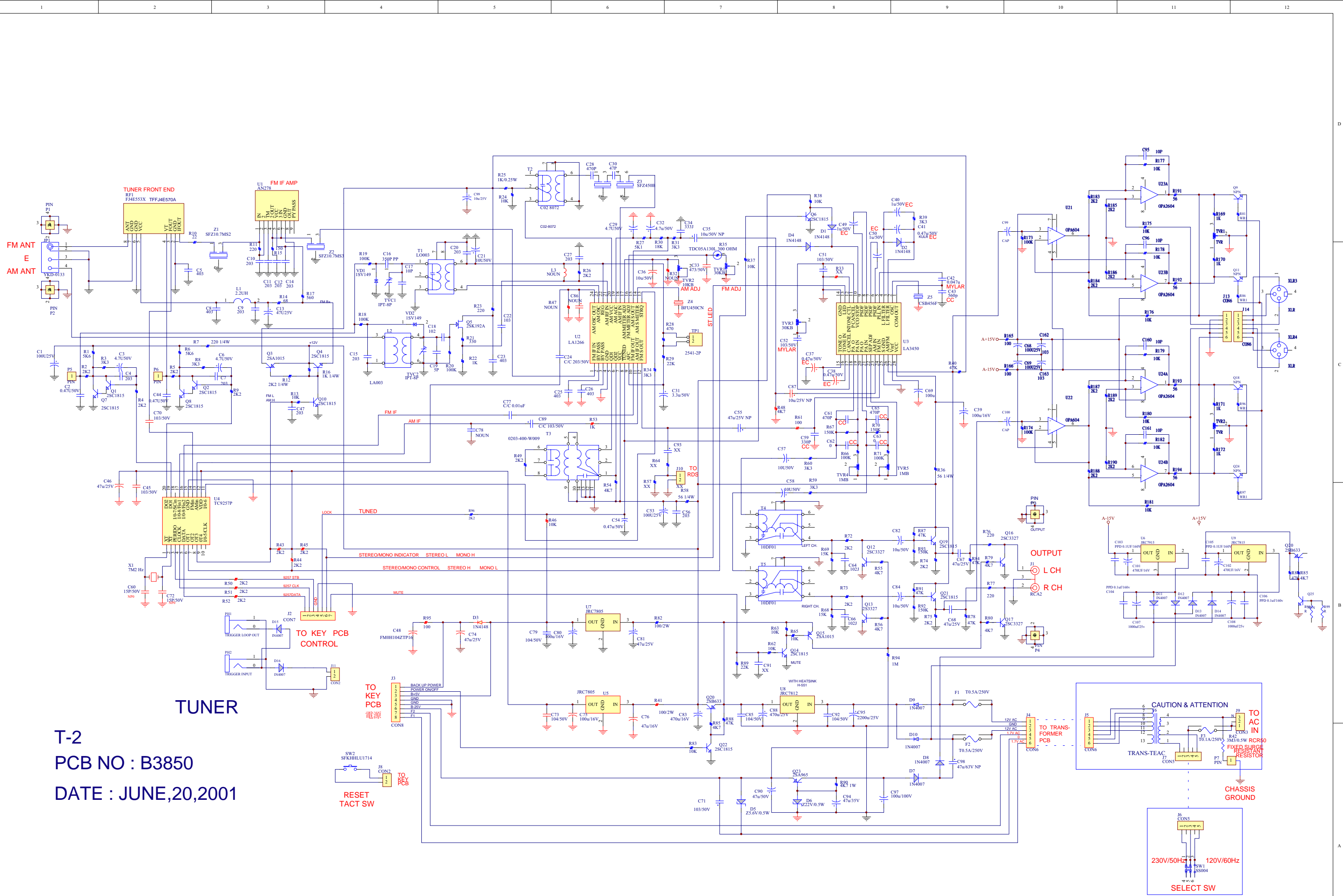
T-2 KEY PCB CIRCUIT

DATE : JUNE,20,2001

25U39167TAN FLUORESCENT DISPLAY

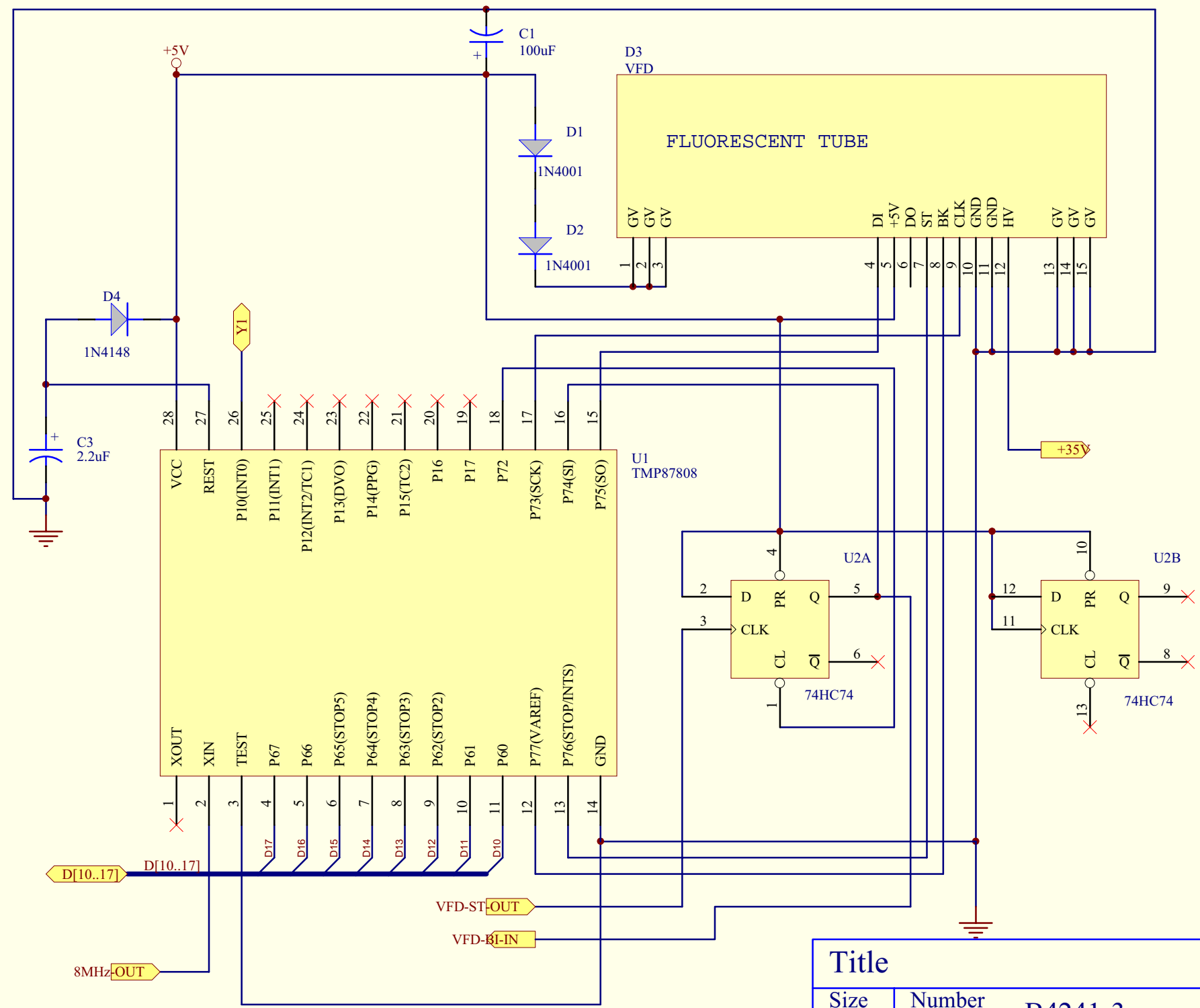


Title		
Size	Number	Revision
A2		
Date:	20-Jun-2001	Sheet of
File:	D:\PROTEL FILES\T3.ddb	Drawn By:



T-2
PCB NO : B3850
DATE : JUNE,20,2001

Title		
Size	Number	Revision
A1		
Date	20-Jun-2001	Sheet 01
File	D:\PROJ1\FILES\T1.dwg	Drawn By



Title			
Size A3	Number B4241-3	Revision G L LIU	
Date 04 MAR 2002	Sheet of		
File D:\PROTEL\FILES\T3SINGL	Drawn By		Alvin Hsieh