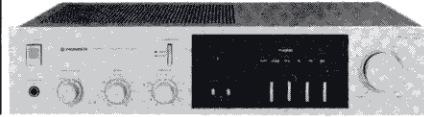


Service Manual

REPAIR & ADJUSTMENTS



**ORDER NO.
ART-643-0**

STEREO AMPLIFIER

SA-520

MODEL SA-520 COMES IN SIX VERSIONS DISTINGUISHED AS FOLLOWS:

Type	Voltage	Remarks
KU	120V only	U.S.A. model
S	110V, 120V, 220V and 240V (Switchable)	General export model
S/G	110V, 120V, 220V and 240V (Switchable)	U.S. Military model
YP	240V only	Australia model
HE	220V and 240V (Switchable)	Europe model
HB	220V and 240V (Switchable)	United Kingdom model

- This service manual is applicable to the KU type (pp1 – 18), YP type (pp21 – 26) and S, S/G types (pp27 – 32). When repairing the HE, HB types, please see the additional service manual (ART-644).
- For the circuit description, please refer to the supplement of model SA-720 service manual (ART-765).
- Ce manuel d'instruction se réfère au mode de réglage, en français.
- Este manual de servicio trata del método de ajuste escrito en español.

CONTENTS

1. SPECIFICATIONS	2	8. ELECTRICAL PARTS LIST	13
2. FRONT PANEL FACILITIES	3	9. PACKING	15
3. BLOCK DIAGRAM	4	10. ADJUSTMENTS	16
4. PARTS LOCATION	5	RÉGLAGE	17
5. EXPLODED VIEWS	6	AJUSTE	18
6. P.C. BOARDS CONNECTION DIAGRAM	8	ADDITIONAL SERVICE MANUAL FOR YP, S AND S/G TYPES	19
7. SCHEMATIC DIAGRAM	11		

Service Manual

REPAIR & ADJUSTMENTS



**ORDER NO.
ART-643-0**

STEREO AMPLIFIER

SA-520

MODEL SA-520 COMES IN SIX VERSIONS DISTINGUISHED AS FOLLOWS:

Type	Voltage	Remarks
KU	120V only	U.S.A. model
S	110V, 120V, 220V and 240V (Switchable)	General export model
S/G	110V, 120V, 220V and 240V (Switchable)	U.S. Military model
YP	240V only	Australia model
HE	220V and 240V (Switchable)	Europe model
HB	220V and 240V (Switchable)	United Kingdom model

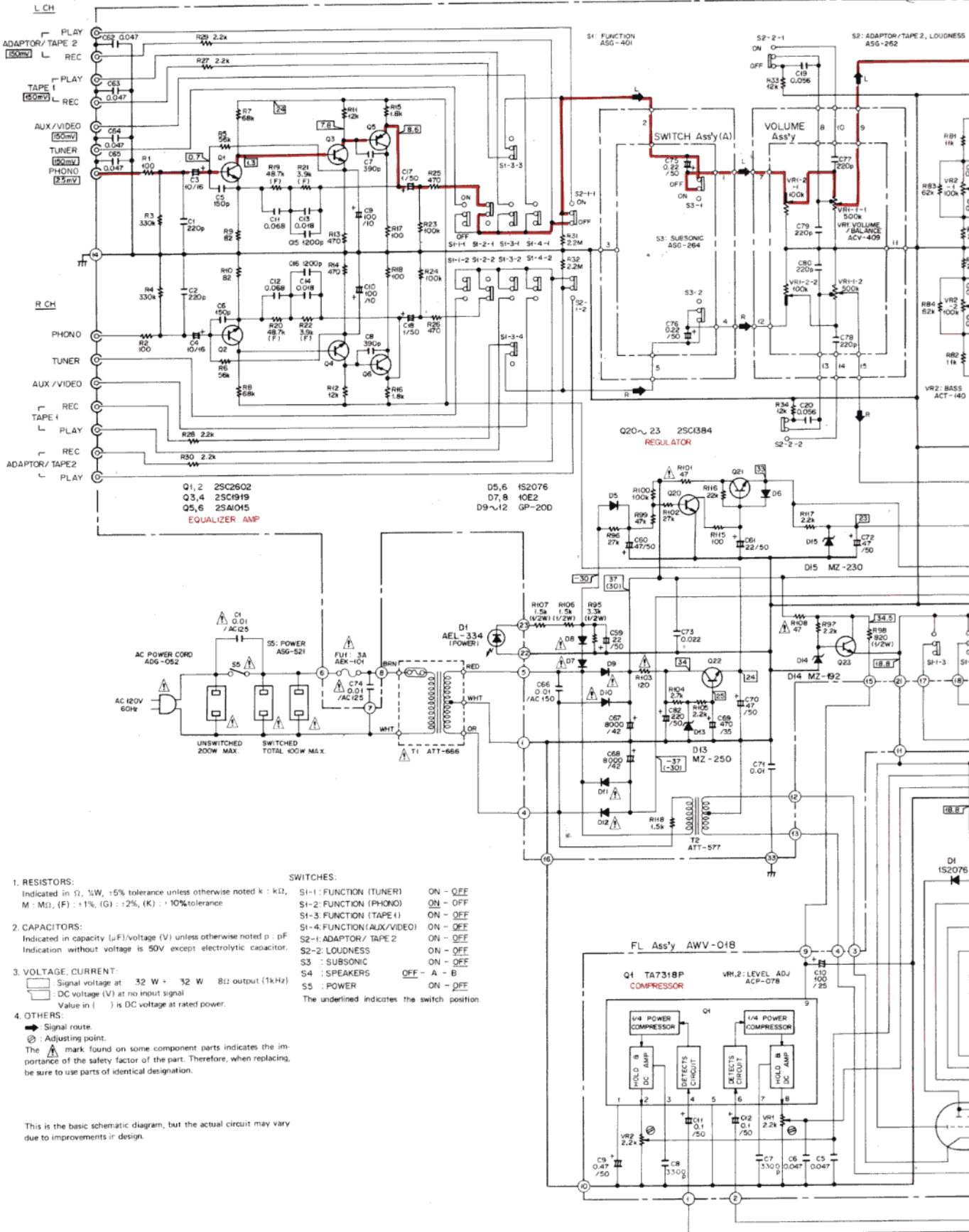
- This service manual is applicable to the KU type (pp1 – 18), YP type (pp21 – 26) and S, S/G types (pp27 – 32). When repairing the HE, HB types, please see the additional service manual (ART-644).
- For the circuit description, please refer to the supplement of model SA-720 service manual (ART-765).
- Ce manuel d'instruction se réfère au mode de réglage, en français.
- Este manual de servicio trata del método de ajuste escrito en español.

CONTENTS

1. SPECIFICATIONS	2	8. ELECTRICAL PARTS LIST	13
2. FRONT PANEL FACILITIES	3	9. PACKING	15
3. BLOCK DIAGRAM	4	10. ADJUSTMENTS	16
4. PARTS LOCATION	5	RÉGLAGE	17
5. EXPLODED VIEWS	6	AJUSTE	18
6. P.C. BOARDS CONNECTION DIAGRAM	8	ADDITIONAL SERVICE MANUAL FOR YP, S AND S/G TYPES	19
7. SCHEMATIC DIAGRAM	11		

7. SCHEMATIC DIAGRAM

AF Ass'y GWK-17



- 1. RESISTORS:**
Indicated in Ω, kΩ, MΩ, 5% tolerance unless otherwise noted k : kΩ, M : MΩ, (F) : ±1%, (G) : ±2%, (K) : ±10% tolerance
- 2. CAPACITORS:**
Indicated in capacity (μF)/voltage (V) unless otherwise noted p : pF
Indication without voltage is 50V except electrolytic capacitor.
- 3. VOLTAGE, CURRENT:**
Signal route
⊕ : DC voltage (V) at no input signal
Value in () is DC voltage at rated power.
- 4. OTHERS:**
⊕ : Signal route
⊗ : Adjusting point.
The **⚠** mark found on some component parts indicates the importance of the safety factor of the part. Therefore, when replacing, be sure to use parts of identical designation.
- SWITCHES:**
- | | |
|----------------------------|-------------|
| S1-1: FUNCTION (TUNER) | ON - OFF |
| S2-1: FUNCTION (PHONO) | ON - OFF |
| S1-3: FUNCTION (TAPE 1) | ON - OFF |
| S1-4: FUNCTION (AUX/VIDEO) | ON - OFF |
| S2-1: ADAPTOR / TAPE 2 | ON - OFF |
| S2-2: LOUDNESS | ON - OFF |
| S3 : SUBSONIC | ON - OFF |
| S4 : SPEAKERS | OFF - A - B |
| S5 : POWER | ON - OFF |
- The underlined indicates the switch position.

This is the basic schematic diagram, but the actual circuit may vary due to improvements in design.

NOTE: The indicated semiconductors are representative ones only. Other alternative semiconductors may be used and are listed in the parts list.

