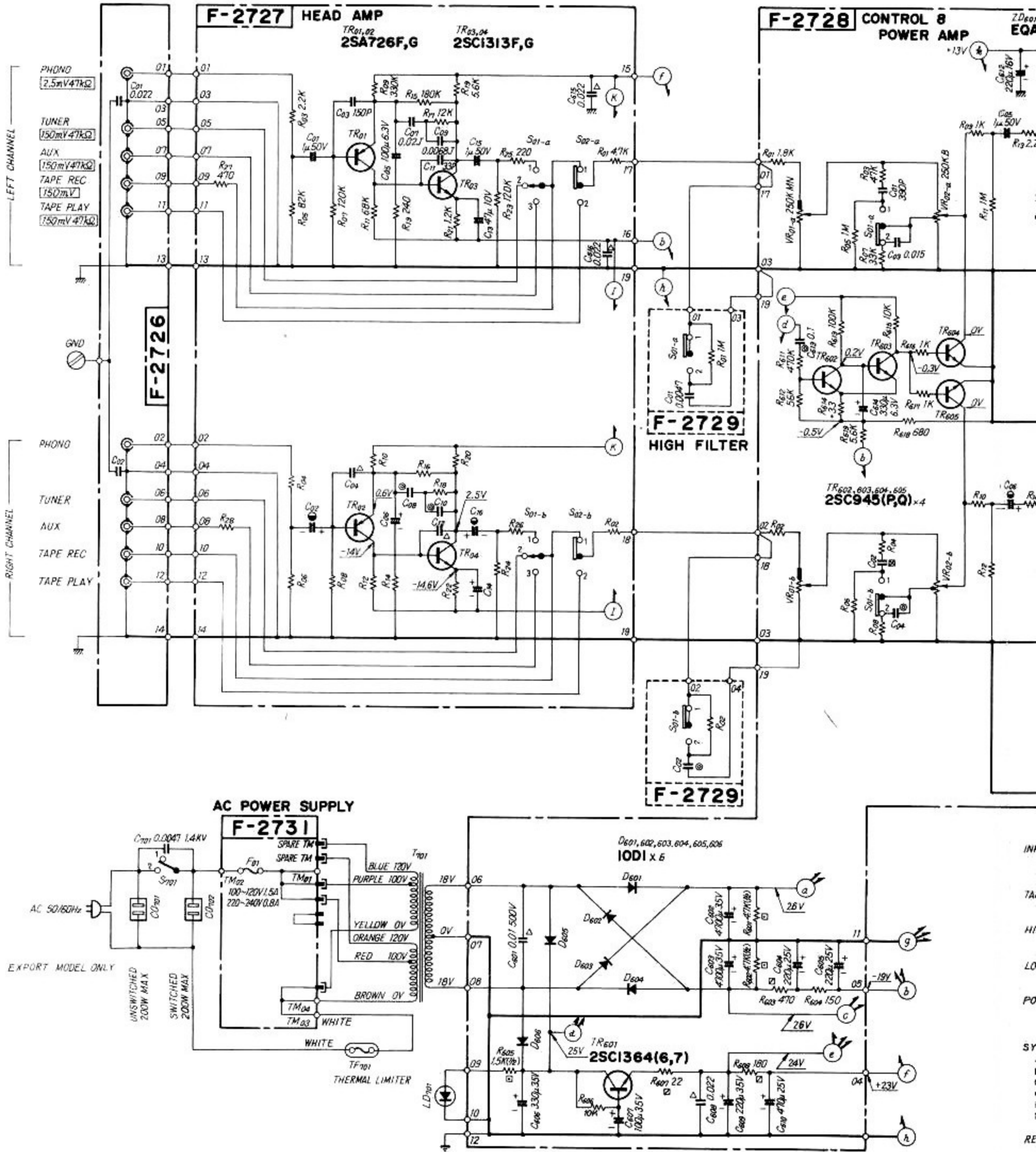
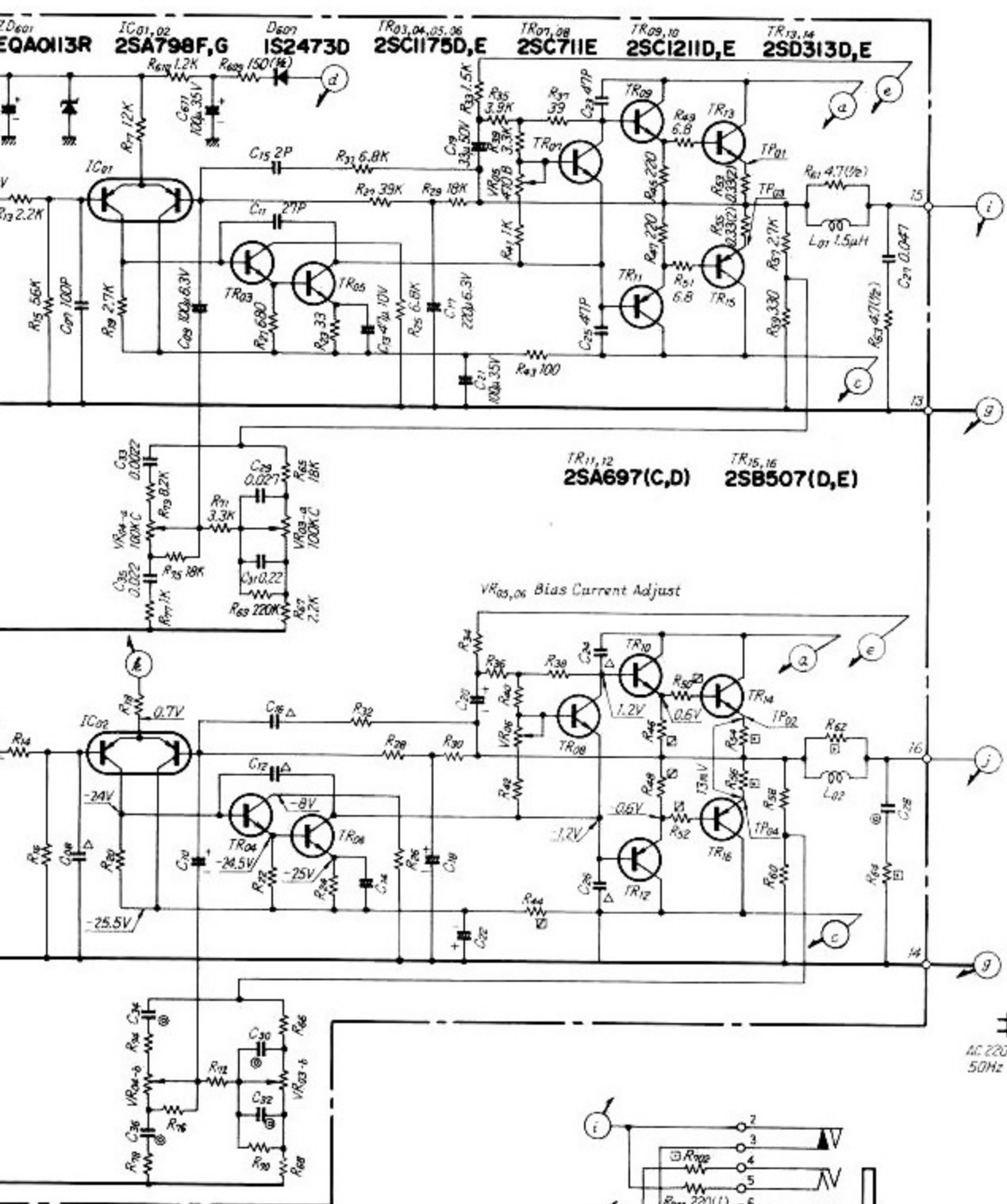


SANSUI AU-117 SCHEMATIC DIAGRAM

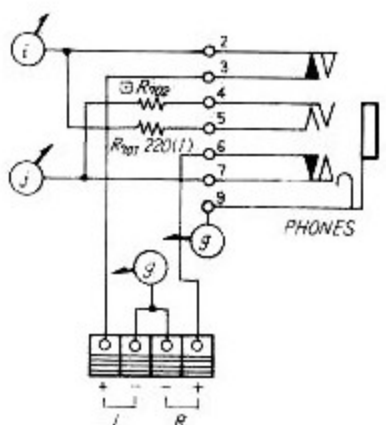


• Design and specifications subject to change without notice for improvement.
 • La présentation et les spécifications sont susceptibles d'être modifiées sans préavis par suites d'améliorations éventuelles.
 • Änderungen, die dem technischen Fortschritt dienen, bleiben vorbehalten.



- SWITCHES & CONTROLS**
- INPUT SELECTOR S_{01-a-b} F-2721
 1. PHONO
 2. TUNER
 3. AUX
 - TAPE MONITOR S_{02-a-b} F-2727
 1. SOURCE
 2. TAPE
 - HIGH FILTER S_{01-a-b} F-2729
 1. OFF
 2. ON
 - LOUDNESS S_{01-a-b} F-2728
 1. ON
 2. OFF
 - POWER
 1. OFF
 2. ON
- SYMBOL**
- △ Ceramic
 - Styrol
 - ⊙ Mylor
 - ⊖ Low-Leak Electrolytic
 - ⊘ Fusing Resistor
 - ⊞ Non-Inflammable Resistor

- RESISTORS**
 Are in ohms, 1/4 Watts, ±5% Tolerance
 Unless otherwise Noted. K:kΩ, M:MΩ
- CAPACITORS**
 Are in μF, Unless otherwise Noted. P:pF
- TOLERANCE**
 J: ±5%, G: ±2%, F: ±1%



- SPEAKERS**
 15W + 15W / B.2
- PHONES**
 16mW + 16mW / B.2
- Both Channel Driven
 BIAS CURRENT
 20mA TP01-TP03, TP02-TP04 / 13mV

